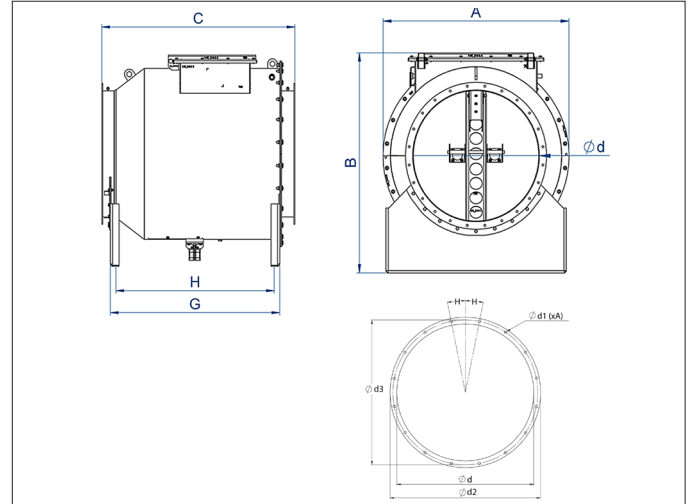


Certified ATEX non-return valve



Certified ATEX non-return valve

An explosion involves not only the immediate processed material, but can also propagate to the rest of the process. This propagation can be avoided if the affected processed material is quickly isolated by a non-return valve.

The BADA-FAB non-return valve is designed to separate the filter from the plant. It is a simple and effective system that is easy to install, without electronics which requires no electrical connections, practically no maintenance and with very low pressure loss.

Our non-return valve is an excellent ATEX certified Safety system for the compartmentalization of an explosion and is suitable for use in Ex zone 21 (ext.) and up to Ex zone 20 (int.).

Material

Body : steel 16MO3 (EN 10028)
Closing flap : HB 400 HARDOX (EN10051)
Surface treatment : powder coated RAL 3020

Type

Welded plates with welded FA flanges (ISO)

Other information

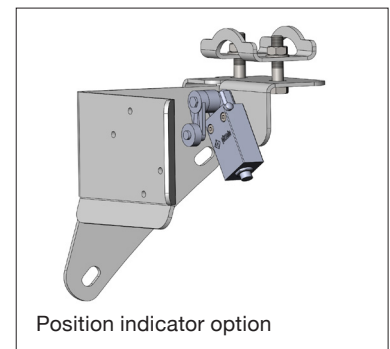
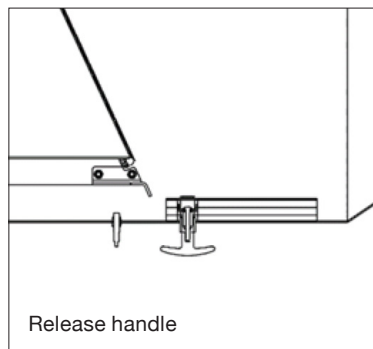
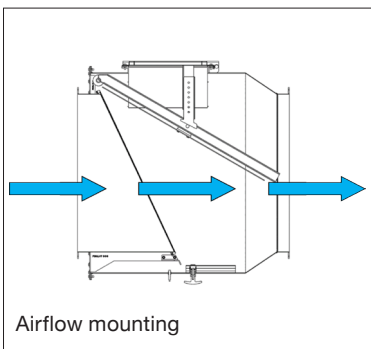
- series includes diameters Ø 200 up to Ø 1000
- conformity according to : EN 16447 : 2014
NFFPA 69 regulations
- certification number : FTZU
- ATEX norm 114 : 2014/34/EC
- exterior zone certification : 21-22
- interior zone certification : 20-21-22
- level of protection : St1 (organic & nonmetallic),
Kst min. = 50 bar*m/s, Kst max. = 200 bar*m/s, MIE =13 mJ,
MIT = 430°C
- Pred,max. : 0,5 bar
- Min. / Max. airspeed : 15 m/s to 35 m/s
- use : Indoors or outdoors
- min. / Max installation distance from filter Ø 200 : 2 m to 7 m
Ø 250 to 400 : 3 m to 7 m, and Ø 450 to 1000 : 4 m to 7 m
- max. dust concentration in duct : no limit
- only to be used in horizontal ducting
- temperature range : -20°C to +60°C.

Advantages

- economically suitable solution for security against an explosion
- completely mechanical requiring practically no maintenance
- no power consumption
- low pressure losses
- high pressure resistance

Options

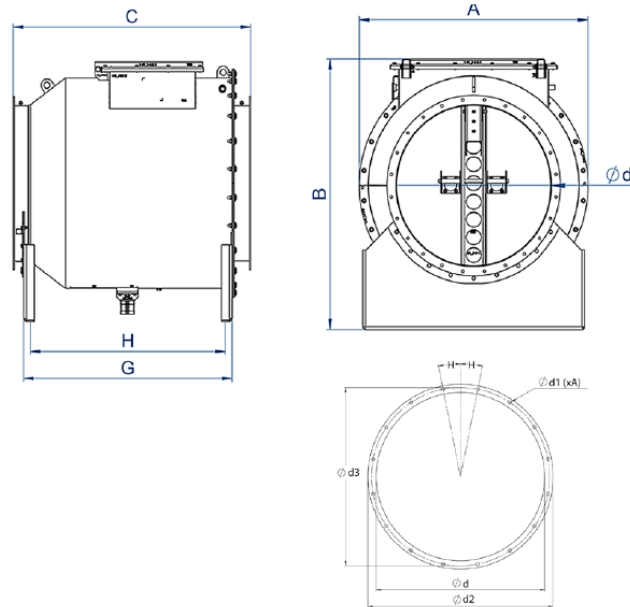
- position sensor for BADA-FAB (ATEX 3D)
- position sensor for BADA-FAB (ATEX 2D)
- dust level indicator for BADA-FAB (ATEX 1GD)
- remote unlocking (2GD)



Certified ATEX non-return valve

Pressure loss per diameter

Pa/Ø	Velocity		
	15 m/s	20 m/s	25 m/s
200	390	450	520
250	380	413	513
300	370	407	507
350	360	100	500
400	350	393	493
450	340	387	487
500	330	380	480
550	320	373	473
600	310	367	467
650	290	340	425
700	280	330	418
750	270	320	412
800	260	310	405
850	250	300	398
900	240	290	392
950	230	280	385
1000	220	270	378



Dimensions

Ø Dia	Code	A (mm)	B (mm)	C (mm)	G (mm)	H (mm)	d1 (mm)	d2 (mm)	d3 (mm)	A qty	H (°)	S (mm)	Weight (Kg)
200	ANRV-R-200	470	510	590	458	394	10	255	235	12	15	3	45
250	ANRV-R-250	520	555	620	488	424	10	305	285	12	15	3	52
300	ANRV-R-300	570	610	640	508	444	10	355	336	12	15	3	60
350	ANRV-R-350	620	660	670	538	474	12	415	389	12	15	3	70
400	ANRV-R-400	670	710	735	603	539	12	465	439	16	11.25	3	83
450	ANRV-R-450	720	760	785	653	589	12	515	489	16	11.25	3	94
500	ANRV-R-500	770	810	835	703	639	12	656	540	16	11.25	3	106
550	ANRV-R-550	820	860	885	753	689	12	615	590	16	11.25	3	118
600	ANRV-R-600	870	910	935	803	739	12	665	640	16	11.25	3	130
650	ANRV-R-650	985	1021	1090	952	888	12	715	690	24	7.5	3	169
700	ANRV-R-700	1035	1072	1120	982	918	12	785	750	24	7.5	3	185
750	ANRV-R-750	1085	1127	1150	1012	948	12	835	800	24	7.5	3	199
800	ANRV-R-800	1152	1213	1220	1082	1018	12	885	850	24	7.5	3	229
850	ANRV-R-850	1202	1263	1340	1083	1019	12	935	900	24	7.5	3	241
900	ANRV-R-900	1252	1313	1340	1202	1138	12	985	950	24	7.5	3	268
950	ANRV-R-950	1302	1363	1340	1202	1138	12	1035	1000	24	7.5	3	281
1000	ANRV-R-1000	1352	1413	1340	1202	1138	12	1085	1050	24	7.5	3	294