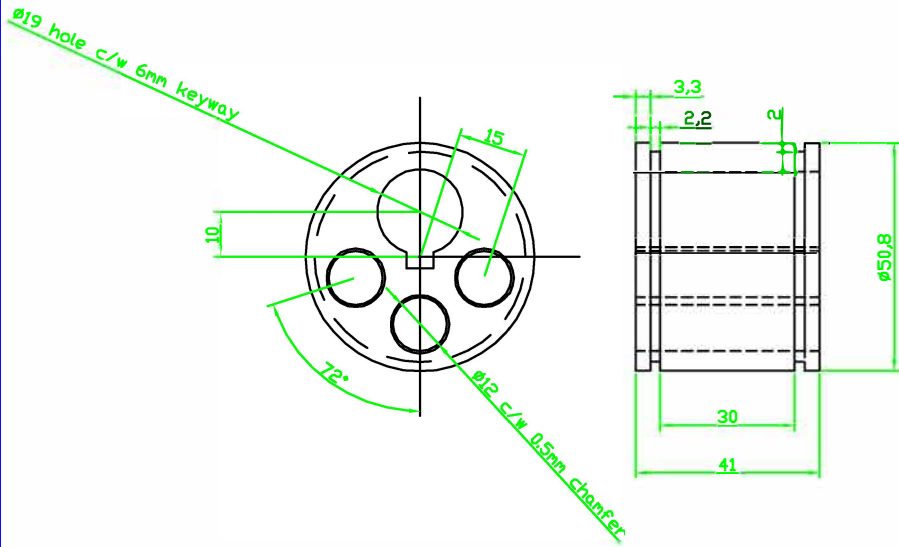


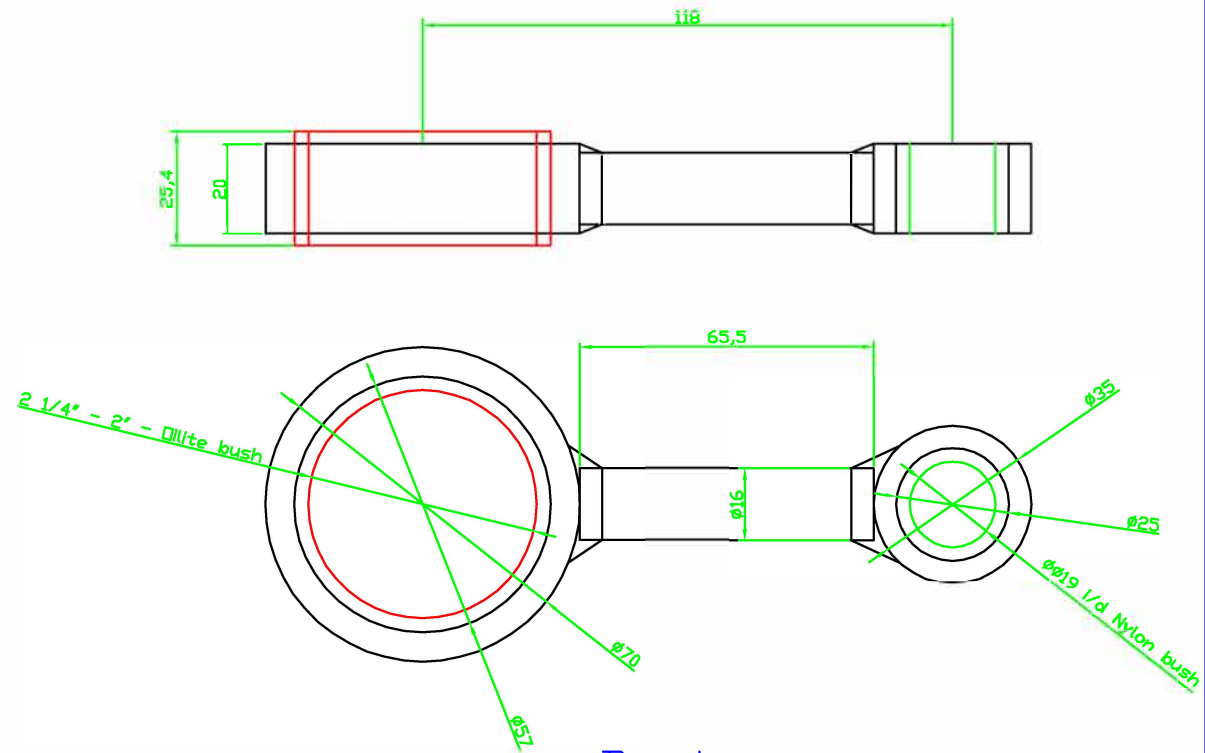
DUST SPARES LTD

Air 30-60-90M 0.37kW Shaker linkage

2x External Circlip 50mm
Diameter -Required



Eccentric

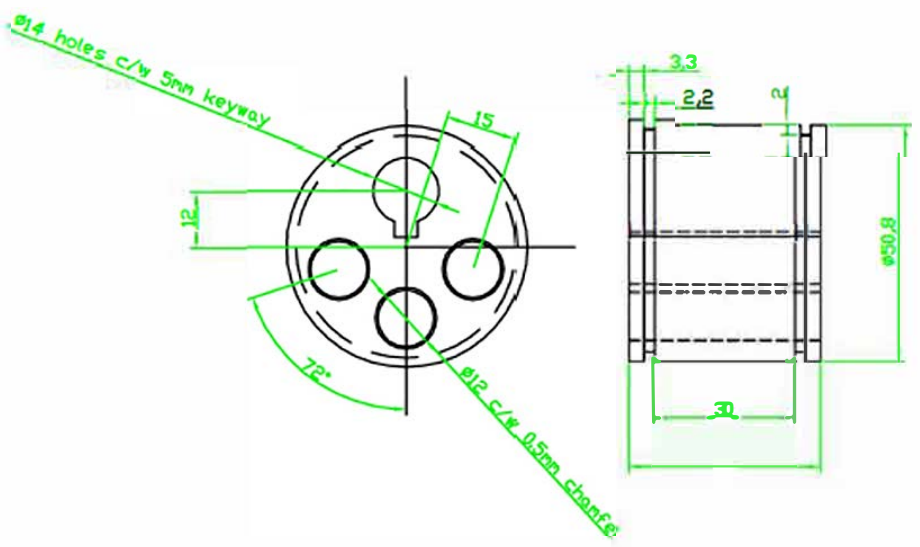


Body

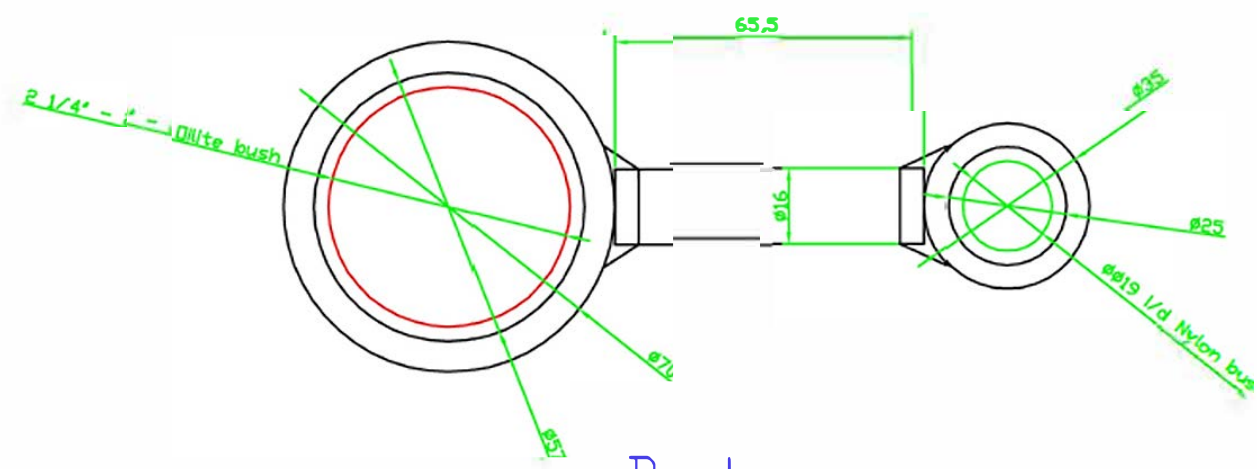
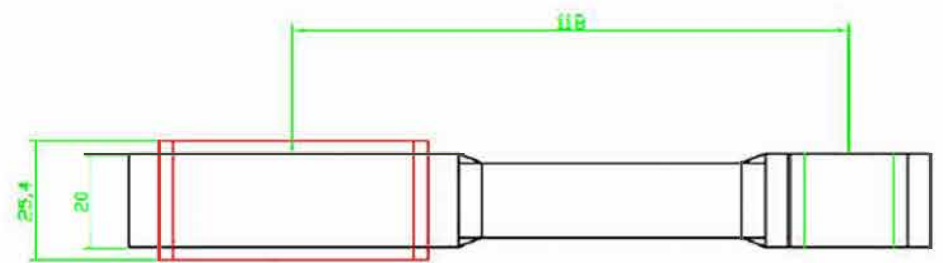
DUST SPARES LTD

Air 25-50-75M 0.25kW
Shaker linkage

2x External Circlip 50mm
Diameter - Required



Eccentric



Body